
PNEUMATIC POSITIONER type A703



- reliable and simple in installation
- suitable for actuators Polna S.A., Masoneilan and others
- linear, accelerated and decelerated characteristics
- input signals dividing possibility

THE PNEUMATIC POSITIONER type A703 IS DESIGNED FOR COOPERATION WITH MEMBRANE AND SPRING PNEUMATIC ACTUATOR. IT ASSURES QUICK AND PRECISE ACTUATOR MANDREL POSITION DETERMINING, AS WELL AS ACTUATOR USEFUL FORCE. THE MECHANICAL FEEDBACK ASSURES THE UNEQUIVOCAL ACTUATOR MANDREL POSITIONS, WHICH CORRESPOND THE PRESENT REGULATOR OUTPUT SIGNAL.

THE POSITIONER STRUCTURE ALLOWS USER FOR EASY OPERATION TYPE SELECTION: FORWARD OR REVERSE ACTION: DIRECT OR REVERSED ACTION (THE INPUT SIGNAL GROWTH CORRESPONDS TO OUTPUT SIGNAL GROWTH OR DECREASE).

POSITIONER HAS EQUIPMENT ALLOWS FOR:

****ACHIEVING THE FULL RANGE OF OUTPUT SIGNAL AT THE HALF OF RANGE OF INPUT SIGNAL.**

****CHANGING THE CONTROL SIGNAL CHARACTERISTIC IN INPUT SIGNAL FUNCTION**

****REMOVING POSITIONER WITHOUT THE CONTROL VALVE OPERATION INTERRUPTION.**

TECHNICAL DATA

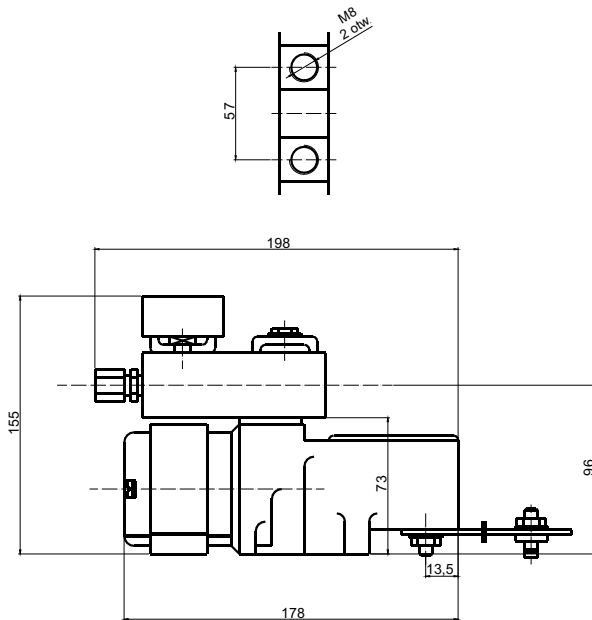
- input signal	20...100 kPa 20...60 kPa 60...100 kPa
- supply pressure:	140...600 kPa
- control signal	0...100% of supply pressure
- cooperating actuator stroke	10...101,6 mm
- nonlinearity	<1,5% of input signal width
- hysteresis	<1% of input signal width
- sensitivity	<0,06% of input signal width
- operation characteristic	linear, accelerated, decelerated
- output delivery	min. 15...36 kg/h at supply pressure 140...600 kPa and input signal 60 kPa
- air own consumption	0.26...0.68 kg/h at supply pressure 140...600 kPa
- allowable ambient temperature	-25°C...+70°C

TECHNICAL DATA cont.

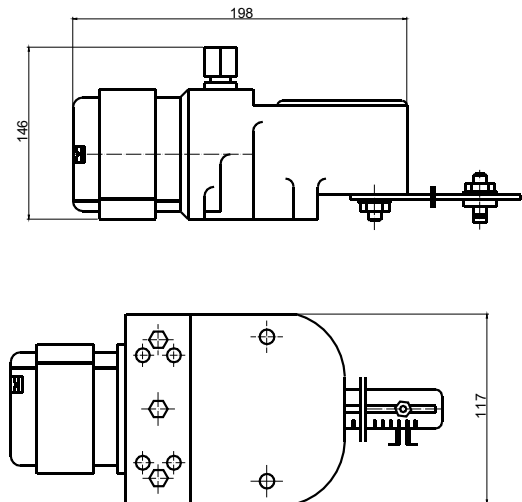
- additional errors:
 - from supply pressure changes of 10% 0,3% of input signal width
 - from temperature changes 0.5% /10°C
- humidity 5...100%
- cover protection rating IP67 acc. to PN-EN 60529:2002
- pneumatic terminals screwed holes 1/4" NPT or copper or polyethylene pipes $\varnothing 6$ or $\varnothing 8$ mm connectors arbitrary
- operational position 1.8...3.8 kg, depending on version
- weight

DIMENSIONAL DRAWING

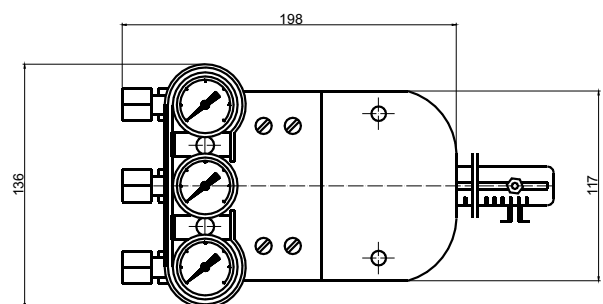
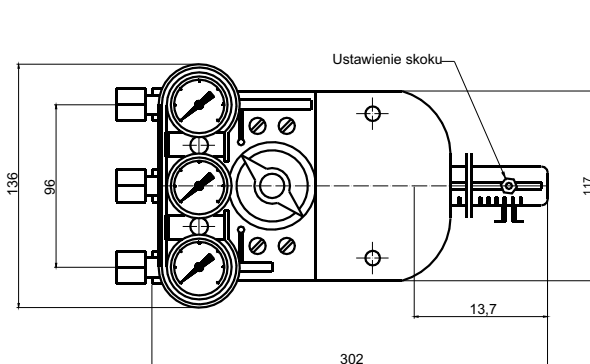
POSITIONER WITH MANOMETERS AND SWITCH



POSITIONER WITHOUT MANOMETERS AND SWITCH



POSITIONER WITH MANOMETERS



ORDERING METHOD

A703-A	Pneumatic positioner	
	CODE1	VERSION
	001/	input signal 20... 100 kPa, without manometers and switch
	002/	input signal 20... 60 kPa, without manometers and switch
	003/	input signal 60... 100 kPa, without manometers and switch
	004/	input signal 20... 100 kPa, with manometers, without switch
	005/	input signal 20... 60 kPa, with manometers, without switch
	006/	input signal 60... 100 kPa, with manometers, without switch
	007/	input signal 20... 100 kPa, with manometers and switch
	008/	input signal 20... 60 kPa, with manometers and switch
	009/	input signal 60... 100 kPa, with manometers and switch
	CODE2	PNEUMATIC CONNECTORS
	R971	for copper pipes \varnothing 6 mm
	R972	for copper pipes \varnothing 8 mm
	R973	for polyethylene pipes \varnothing 6 mm
A703-A	009 / R971	EXEMPLARY POSITIONER TYPE

Positioners in the basic version A703-A001...A009 are equipped with L cam (linear) and parts kit for installation on the yoke actuators, for example: type 37 or 38 from Polna S.A.

Positioners in the special version A703-A001...A009-S01 are equipped with the % cam (accelerating).

Positioners in the special version A703-A001...A009-S02 are equipped with the Q.O cam (decelerating).

Positioners in the special version A703-A001...A009-S03 are equipped with the cams set and parts kit for installation on the column actuators.

Positioners in the special version A703-A001...A009-S04 are equipped with the cams set.

Order example:

Positioner A703, input signal 60... 100 kPa, equipped with manometers and switches, pneumatic connectors for copper pipes \varnothing 6 has a designation:

Positioner A703-A009/R971

We reserve the right to implement the product structural changes without the parameters deterioration.