
STARTING PICK-UP (ADAPTER) ES3-2682 (FOR 3-PHASE ACTUATORS)

This pick-up, adapter, is a device designed for starting up and servicing of actuators type ESL-07-; ESL-08-; ESO-01-; ESW-16-; ESW-19-.

The adapter consists of the following parts:

- breaker switch,
- contactors serving for changing the actuator movement direction,
- control pushbuttons,
- terminal strips,
- connectors enabling to connect the adapter with actuator.

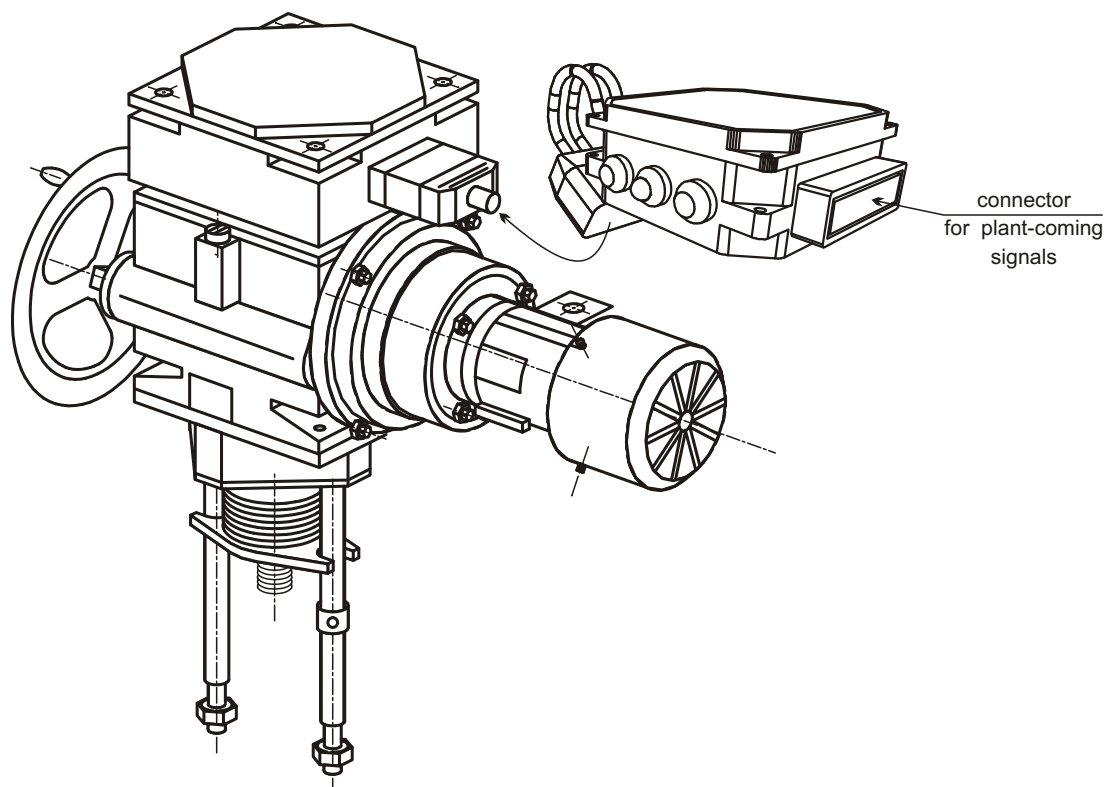
Using this pick-up (after removing the cover) one can take the measurements of electric quantities and parameters on the terminals of strips.

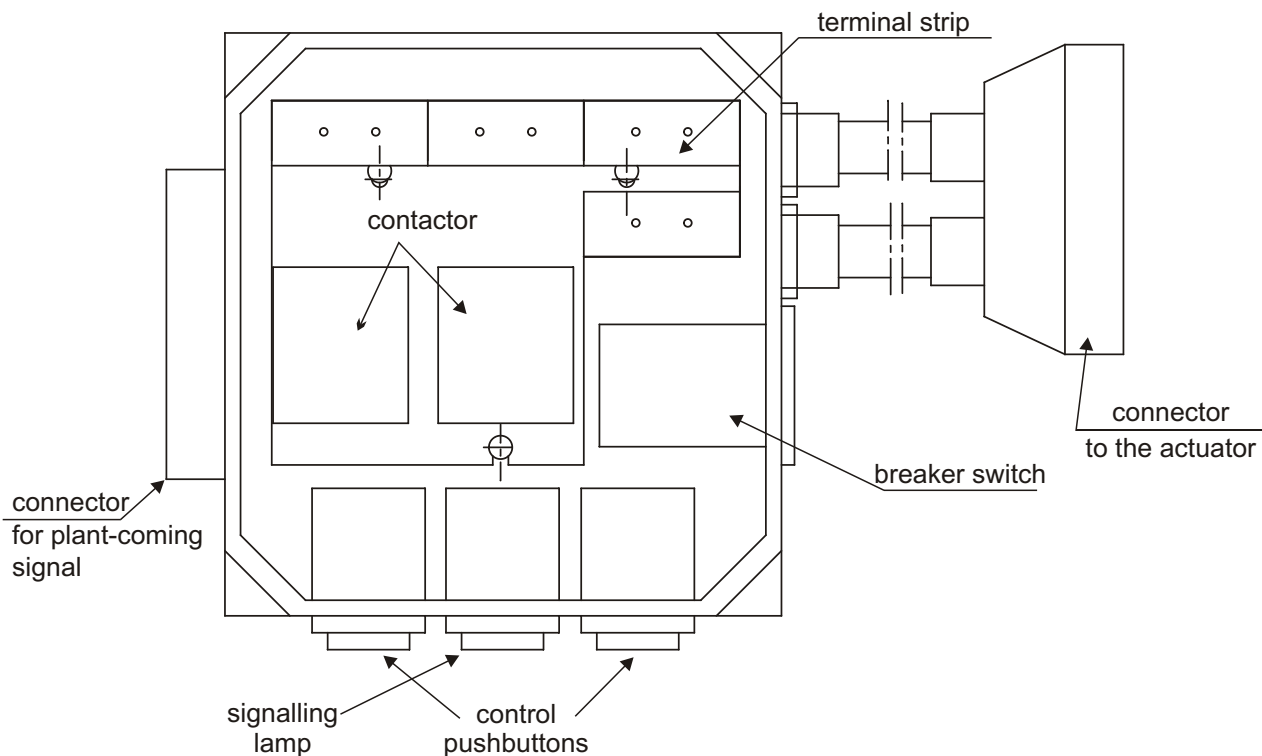
The breaker switch is used for switching the supply voltage to the adapter. This voltage is signalled via the lamp. The actuator is controlled by means of a stable pushbuttons being placed on both sides of signalling lamp.

In case of powering with voltage having the proper sequence of phases, by pressing the white control pushbutton one can make the actuator go into opening mode, while by pressing the green one - the actuator is made to go into closing mode.

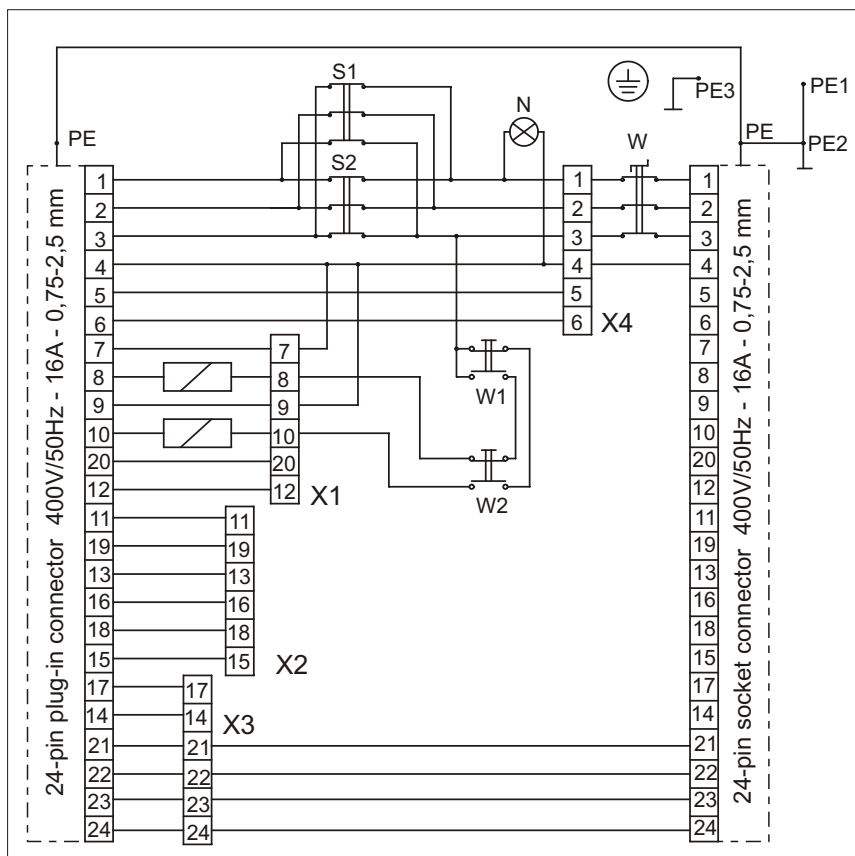
In case of using the pick-up, actuator operation is possible only with local control (by pushbuttons).

In case of simultaneous pressing both pushbuttons, one stops the actuator.





ELECTRIC CIRCUIT DIAGRAM OF STARTING PICK-UP



- S1,S2 - 3-track contactor, 10A, coil 230V
- W - 3-track breaker switch, 10A, 230V
- W1 (white) - opening control pushbutton
- W2 (green) - closing control pushbutton
- X1,X2,X3,X4 - multi-track connectors
- 1,2,3,4 (X4) - 3x400/230V 50Hz power supply
- 5,6 (X4) - temperature limiter output
- closed contact - normal winding temperature
- open contact - winding temperature above the permissible value
- 7,8 (X1) - main switch of opening WO, WOP
- 9,10 (X1) - main switch of closing WZ, WZP
- 13,14,15,16,17,18 - signalling switches WO, WZ
- 21,22,23,24 - position transmitter
- N - power supply voltage annunciator - noen lamp
- PE - socket protective grounding terminal
- PE1 - cover protective grounding terminal
- PE2 - internal protective grounding terminal
- PE3 - external protective grounding terminal

The right of introducing design changes in the product, without deteriorating of its operation parameters, is reserved.